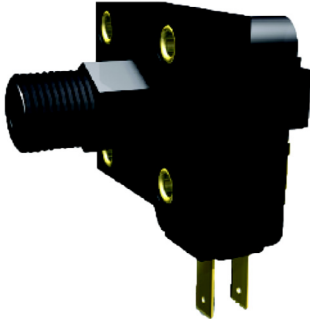


# Pressure Switches

## High Current

**multicomp** PRO

**RoHS  
Compliant**



### Features

- Controllable hysteresis (deadband)
  - Field adjustable pressure set point, from 3 inches H<sub>2</sub>O to 60 psi
  - Snap action basic switch, up to 25A\*, 125 / 250V AC
  - Many standard pressure ports and mounting options
  - Custom design and engineering available
  - Small size, light weight, low cost
  - Dependable long life (10+ million cycles)
- \* Not available on all ranges

### Description

Design flex™ standard options - choose from our standard PSF103 options as shown or contact our vertically integrated in-house design and engineering team for special features and unique application needs

### Specifications

#### Mechanical

Standard Tolerance	: ±20% (tight tolerances available)
Switch Type	: SPDT (single pull / double throw) normally open or normally closed
Switching Medium	: Air, compatible fluids
Mechanical Life	: More than 10 million cycles
Proof Pressure	: Varies by option - see adjustable pressure set point options next page
Operating Temperature	: +40°F to +150°F (standard), -46°F to +205°F

#### Physical

Case Material	: Polycarbonate)
Pressure Port Options	: Many standard ports - see pressure port / cover options next page
Diaphragm Material	: Polyurethane (Teflon. optional with limited pressure ranges)
Contact Points	: Silver (gold available on special order)
Electrical Connections	: Terminals - 0.187 × 0.02 inches tab-type for use with quick disconnects (ref. AMP #2-520182-2 or equivalent) 0.25 inches available
Mounting	: #4 screws through mounting lugs; #2 screws through eyelets; mounting bracket available
Weight	: Less than 20 g

#### Electrical

Current Rating	: Varies by option - see adjustable pressure set point options next page
Operating Voltage	: See adjustable pressure set point options

Newark.com/multicomp-pro  
Farnell.com/multicomp-pro  
Element14.com/multicomp-pro

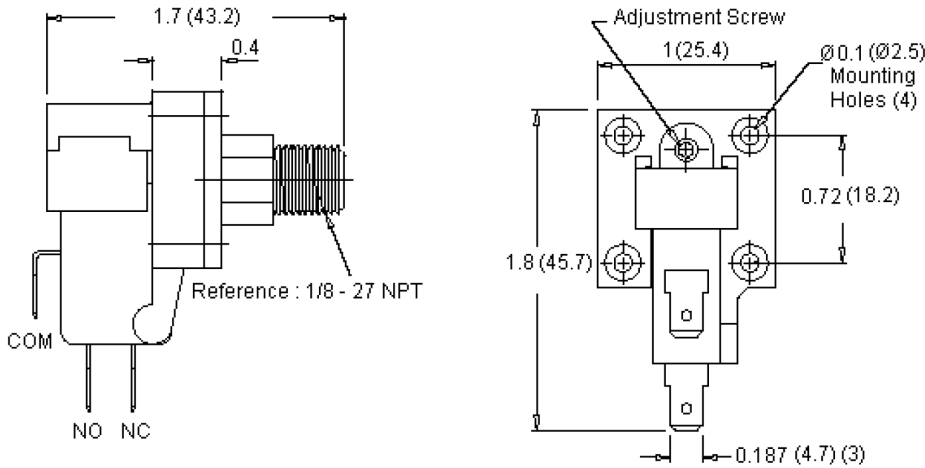
**multicomp** PRO

# Pressure Switches

## High Current

**multicomp** PRO

### Diagram



Dimensions : Millimetres

### Part Number Table

Description	Inches H <sub>2</sub> O	mbar	psi	Proof Pressure (Polyurethane)	Proof Pressure (PTFE)	Electrical 125 / 250V DC	Part Number
Pressure Switch, 4 - 15 psi	111 to 416	276 to 1,034	4 to 15	100 psi	30 psi	15A	PSF103-9061-905
Pressure Switch, 15 - 60 psi	416 to 1,664	1,034 to 4,137	15 to 16				PSF103-9061-906

**Important Notice :** This data sheet and its contents (the "Information") belong to the members of the AVNET group of companies (the "Group") or are licensed to it. No licence is granted for the use of it other than for information purposes in connection with the products to which it relates. No licence of any intellectual property rights is granted. The Information is subject to change without notice and replaces all data sheets previously supplied. The Information supplied is believed to be accurate but the Group assumes no responsibility for its accuracy or completeness, any error in or omission from it or for any use made of it. Users of this data sheet should check for themselves the Information and the suitability of the products for their purpose and not make any assumptions based on information included or omitted. Liability for loss or damage resulting from any reliance on the Information or use of it (including liability resulting from negligence or where the Group was aware of the possibility of such loss or damage arising) is excluded. This will not operate to limit or restrict the Group's liability for death or personal injury resulting from its negligence. Multicomp Pro is the registered trademark of Premier Farnell Limited 2019.

Newark.com/multicomp-pro  
 Farnell.com/multicomp-pro  
 Element14.com/multicomp-pro

**multicomp** PRO