

Tower LED

Orange Red, 1.8mm

multicomp^{PRO}

RoHS
Compliant

Specifications

Dice Material : GaAsP on GaP
Emitted colour : Orange Red
Lens colour : Red Diffused
Peak wavelength : 635nm
Viewing angle : 70°
Luminous intensity (IV) : 30mcd

Electrical / Optical Characteristics at Ta = 25°C						
Parameter	Symbol	Min.	Typ.	Max.	Unit	Test
Luminous Intensity	IV	25	30	40	mcd	IF = 20mA
Viewing Angle	2θ1/2		70		deg	
Peak Emission Wavelength	λp		635		nm	
Dominant Wavelength	λD	620	625	630	nm	
Spectral Line Half-Width	Δλ		45		nm	
Forward Voltage	VF	1.8	2	2.6	V	
Power Dissipation	Pd			85		
Peak Forward Current (Duty 1/10 @ 1KHz)	IF (Peak)			100		
Recommended Operating Current	IF (Rec)		20		uA	VR=5V

Absolute Maximum Ratings: (Ta = 25°C)	
Reverse Voltage	5 Volt
Reverse Current	10uA (VR=5V)
Operating Temperature Range	-40°C to 85°C
Storage Temperature Range	-40°C to 100°C
Lead Soldering Temperature Range (1.6 mm (1/16 inch) from body)	260°C for 5 Seconds

Newark.com/multicomp-pro
Farnell.com/multicomp-pro
Element14.com/multicomp-pro

multicomp^{PRO}

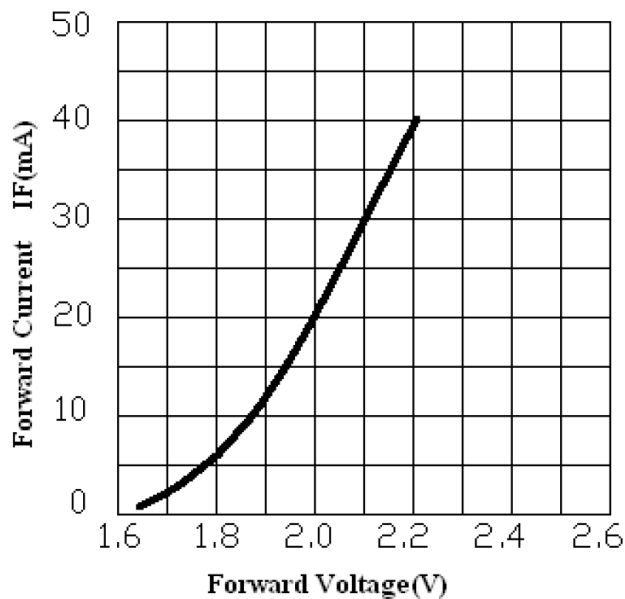
Tower LED

Orange Red, 1.8mm

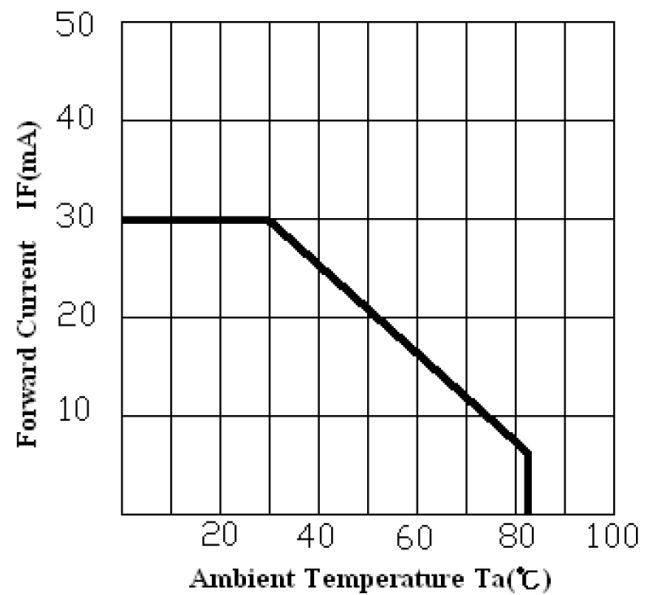
multicomp PRO

Typical Electro-Optical Characteristics Curves

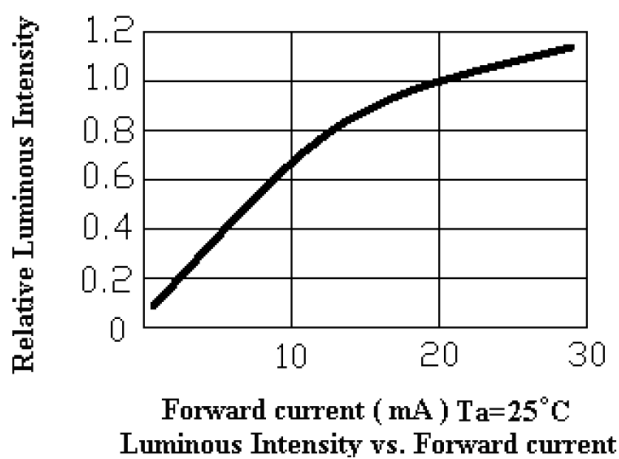
Orange (GaAsP/GaP $\lambda_P=635\text{nm}$)



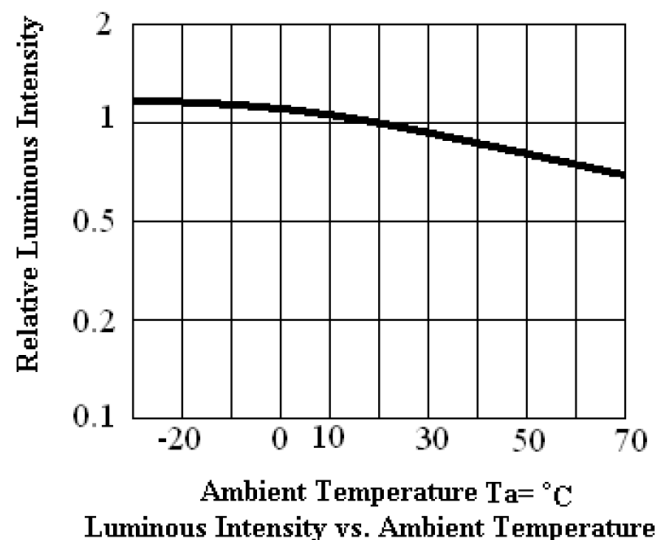
Forward Current vs. Forward Voltage



Forward Current Derating Curve



Luminous Intensity vs. Forward current

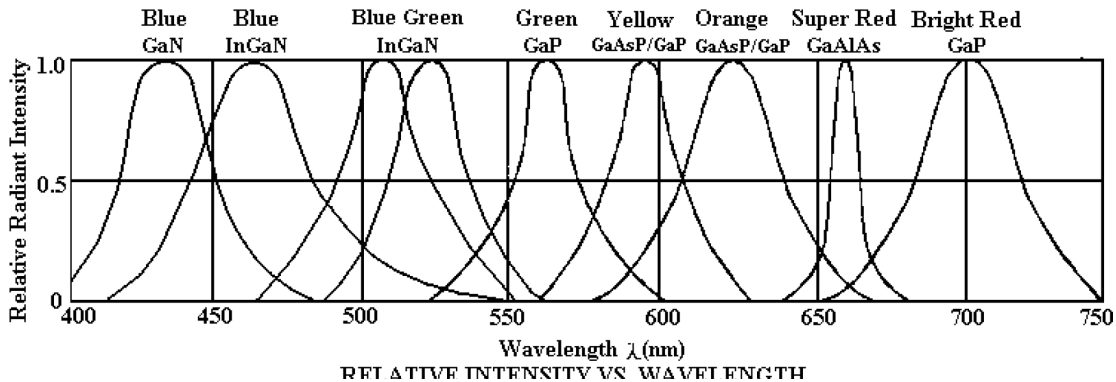


Luminous Intensity vs. Ambient Temperature

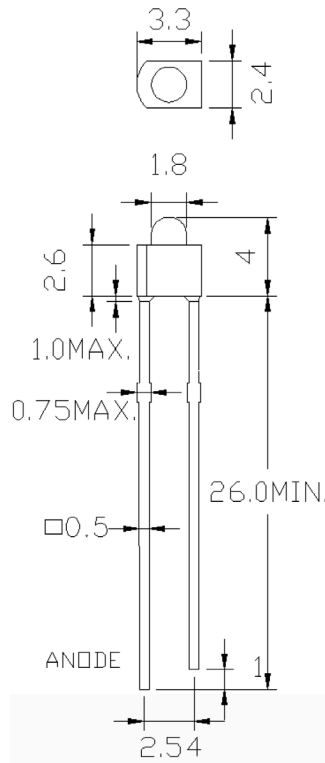
Tower LED

Orange Red, 1.8mm

multicomp PRO



Dimensions



Dimensions : Millimetres

Part Number Table

Description	Part Number
Tower LED, Orange Red, 635nm, 70°, 30mcd, Through hole	MP007990

Important Notice : This data sheet and its contents (the "Information") belong to the members of the AVNET group of companies (the "Group") or are licensed to it. No licence is granted for the use of it other than for information purposes in connection with the products to which it relates. No licence of any intellectual property rights is granted. The Information is subject to change without notice and replaces all data sheets previously supplied. The Information supplied is believed to be accurate but the Group assumes no responsibility for its accuracy or completeness, any error in or omission from it or for any use made of it. Users of this data sheet should check for themselves the Information and the suitability of the products for their purpose and not make any assumptions based on information included or omitted. Liability for loss or damage resulting from any reliance on the Information or use of it (including liability resulting from negligence or where the Group was aware of the possibility of such loss or damage arising) is excluded. This will not operate to limit or restrict the Group's liability for death or personal injury resulting from its negligence. Multicomp Pro is the registered trademark of Premier Farnell Limited 2019.

Newark.com/multicomp-pro
Farnell.com/multicomp-pro
Element14.com/multicomp-pro

multicomp PRO