

150W DALI & Push Dimmable LED Drivers

multicompPRO

**RoHS
Compliant**



Features

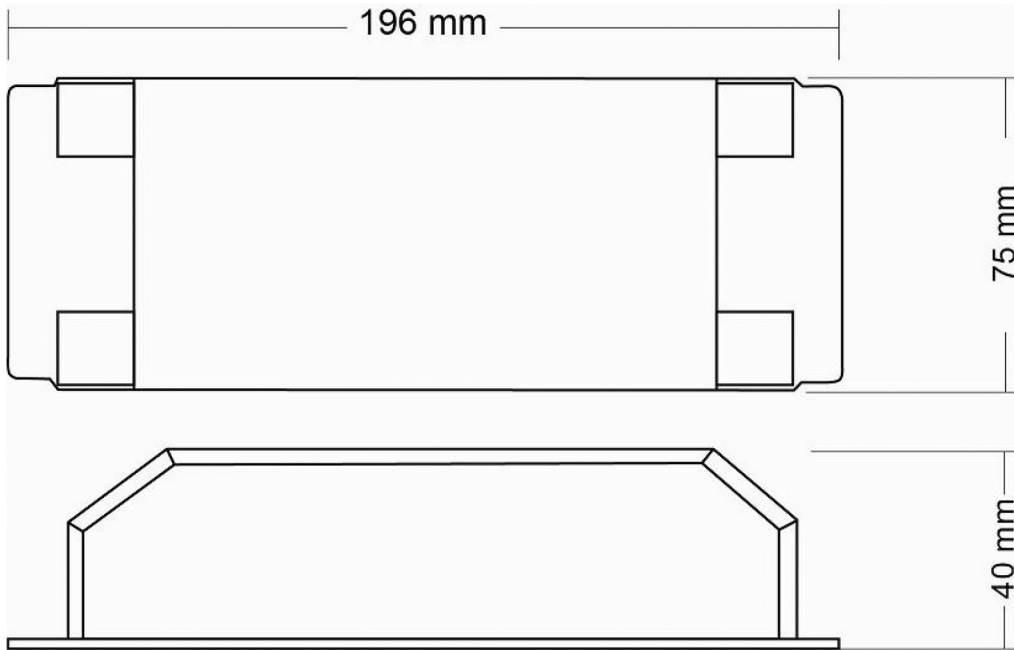
- Single channel constant voltage
- Meet DALI Protocol IEC62386
- Wide range of input voltage 100V AC to 240V AC
- Support Touch-DIM function
- Efficiency up to 92%
- Built-in active PFC function
- Protections: Short circuit/ Over current
- Cooling by free air convection
- IP20 design
- Suitable for intelligent LED lighting

Models	MP007748	MP007749
Output Specifications		
Output Voltage	12V	24V
Current Accuracy	± 3%	
Output Current	11.25A	6.25A
Rated Power	100W	
Input Specifications		
Input Voltage	100V AC to 240V AC	
Frequency Range	47Hz to 63Hz	
Inrush Current	40A (Cold start at 230V AC)	
Full Load Efficiency (Typ.)	92%	
AC Current (Max.)	2A	
Leakage Current	<0.50mA	
Power Factor	PF>0.95/115VAC (Full Loading)	
Protection		
Short Circuit	Constant current limiting, recovers automatically after fault condition is removed	
Over Current	Constant current limiting, recovers automatically after fault condition is removed	
Environment		
Working Temperature	-20 to +50°C	
Other Specifications		
Weight	0.67 Kg	
Size	196mm × 75mm × 40mm	
Packing	303mm × 221mm × 265mm (18PCS/CTN, 13Kg/CTN))	

150W DALI & Push Dimmable LED Drivers

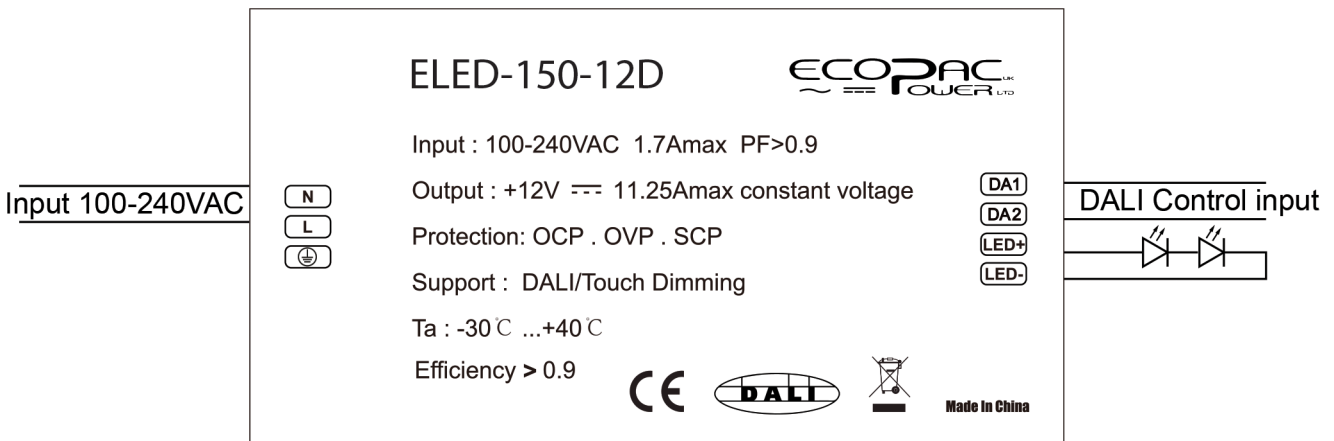
multicomp PRO

Mechanical Specification



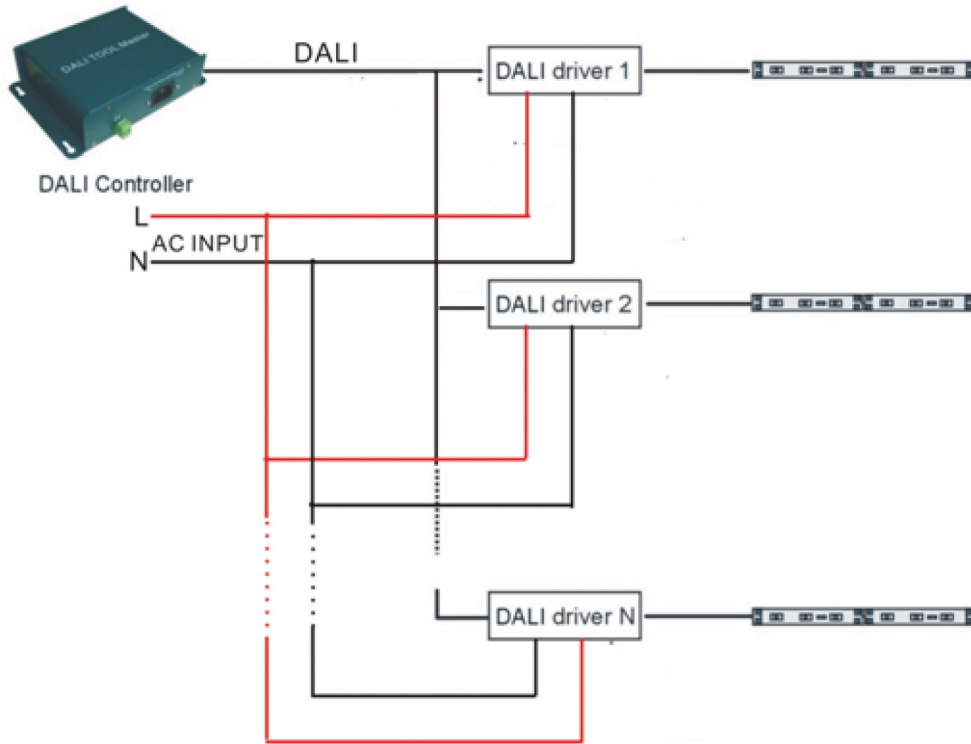
Dimensions : Millimetres

Wiring Diagram

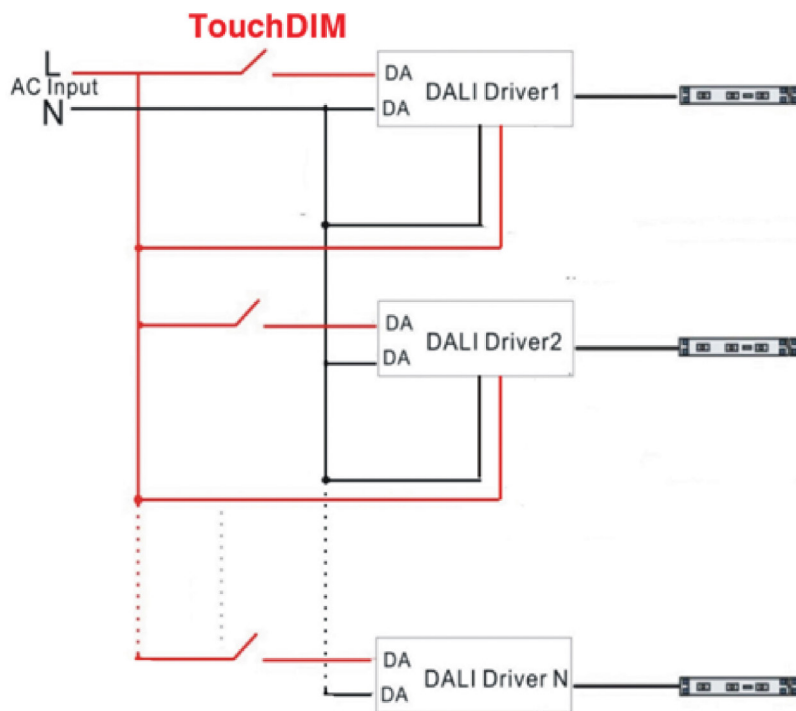


150W DALI & Push Dimmable LED Drivers

DALI Diagram



Touch Dim Diagram



150W DALI & Push Dimmable LED Drivers



Touch Dim Function

1. Short press the Touch DIM switch (<0.5s) to control the lamp on or off.
2. Long press the Touch DIM switch (>0.5s) to dim the brightness of light; the dimming direction will change every time after pressing switch.
3. Double-click the Touch DIM switch (<0.3s), then all lamps connected on the device will be set maximum brightness.
4. When the light being turned off, long press the Touch DIM switch can turn on the light and adjust the brightness according to the dimming direction.
5. The brightness adjustment range is 1%-100%, and the light can be turned off through short pressing when do the adjustment with long pressing Touch DIM switch
6. With the Power off memory function, the power-down state will be recovered when power on again.

Cautions

1. This unit must be installed by a qualified electrician.
2. DALI and Touch DIM functions cannot be used simultaneously, which can be controlled respectively by using DALI controllers or the equipments with Touch DIM function.
3. Please read the wiring diagram before installation.
4. Use suitable mounting tools to do the wiring and mounting.
5. Please check the connecting method is correct or not before connecting the power

Part Number Table

Description	Part Number
DALI & Push Dimmable LED Driver, 150W, 12V, IP20	MP007748
DALI & Push Dimmable LED Driver, 150W, 24V, IP20	MP007749

Important Notice : This data sheet and its contents (the "Information") belong to the members of the AVNET group of companies (the "Group") or are licensed to it. No licence is granted for the use of it other than for information purposes in connection with the products to which it relates. No licence of any intellectual property rights is granted. The Information is subject to change without notice and replaces all data sheets previously supplied. The Information supplied is believed to be accurate but the Group assumes no responsibility for its accuracy or completeness, any error in or omission from it or for any use made of it. Users of this data sheet should check for themselves the Information and the suitability of the products for their purpose and not make any assumptions based on information included or omitted. Liability for loss or damage resulting from any reliance on the Information or use of it (including liability resulting from negligence or where the Group was aware of the possibility of such loss or damage arising) is excluded. This will not operate to limit or restrict the Group's liability for death or personal injury resulting from its negligence. DURATOOL is the registered trademark of Premier Farnell Limited 2019.

Newark.com/multicomp-pro
Farnell.com/multicomp-pro
Element14.com/multicomp-pro

